



THE KEY FACTOR



An ISO 9001 Company

# ***FIRE FIGHTING PRODUCT CATALOGUE***





THE KEY FACTOR

An ISO 9001 Company

**"SIR"**

**FIRE Hoses**



TECHNICAL SPECIFICATION				
Inside (inch.)	Diameter (mm)	Proof pressure Kg. f/cm <sup>2</sup>	Burst Pressure Kg. f/cm <sup>2</sup>	Mass Wt. (Gm./Mtr.)
1-1/2	38.0	21.4	35.7	275
2	50.0	21.4	35.7	350
2-1/2	63.0	21.4	35.7	425
2-3/4	70.0	21.4	35.7	480

**TECHNICAL SPECIFICATIONS**

**Hose :** Reinforced Rubber Lined Fire Hose

**Conforming Specification:** IS: 636/1988 Type - A, ISI Marked

**Application :** This Reinforced Rubber Lined Fire Hose is used for water

**CONSTRUCTION**

**Jacket :** Circular woven jacket made from a special blend of cotton & synthetic yarn with high abrasion and heat resistance. Jacket is also treated with suitable rot proofing agent.

**Rubber Lining :** A rubber inner lining with suitable rubber compound which gives flexibility, durability & better resistance

**"SIR"**

**Aqua Dura RRL Hose Pipe**

**TECHNICAL SPECIFICATIONS**

**Hose :** Reinforced Rubber Lined Fire Hose with Elastomeric Coating on outer surface

**Conforming Specification :** IS: 636/ 1 988 Type — A, ISI Marked

**Application :** This Reinforced Rubber Lined Elastomeric Coated Fire Hose is used for water delivery purpose in Fire-Fighting, Oil & Power Sector, Industrial Plants & Sailing Vessels





THE KEY FACTOR

An ISO 9001 Company

**"SIR"**

**CP FIRE Hoses**



TECHNICAL SPECIFICATION				
Inside (inch.)	Diameter (mm)	Proof pressure Kg. f/cm <sup>2</sup>	Burst Pressure Kg. f/cm <sup>2</sup>	Mass Wt. (Gm./Mtr.)
1-1/2	38.0	21.4	35.7	275
2	50.0	21.4	35.7	350
2-1/2	63.0	21.4	35.7	425
2-3/4	70.0	21.4	35.7	480

**Hose :** Controlled Percolating Lined Fire Hose

**Conforming Specification :** IS: 8423/1994, ISI Marked

**Application :** This Controlled Percolating Hose is used for water delivery purpose in Fire-Fighting , Irrigation & Floor Washing etc.

**CONSTRUCTION**

**Jacket :** Circular woven jacket made from a special & synthetic yarn

**Rubber Lining :** A ultra thin layer of rubber lining with suitable rubber compound which ensure controlled percolating.

**Standard Length :** 7.5 Mtrs, 15 Mtrs, 22.5 Mtrs & 30 Mtrs

**End Connection :** As per customer requirements

**FEATURES**

- Compact, Flexible & Light weight
- Low friction loss
- Abrasion resistance
- Ability to withstand high operating & back pressure

**"SIR"**

**Thermo Plastic Hose Pipe**

**Hose :** Thermo Plastic Hose Pipe

**Conforming Specification :** IS: 12585, Type - 2 Marked

**Application:** This Thermo Plastic Hose is used for water delivery purpose in Fire-Fighting

**CONSTRUCTION**

**Lining :** A flexible Thermoplastic lining, Smooth in bore.

**Reinforcement :** A Natural or Synthetic Textile

**Reinforcement Cover :** A flexible thermoplastic cover, which may have a smooth or fluted finish as agreed to between the purchaser & the supplier. The colour may be different from that of the lining.

**Standard Length :** 30 Mtrs & 36 Mtrs

**Nominal Bore (ID) :** 10.mm to 50.00 mm

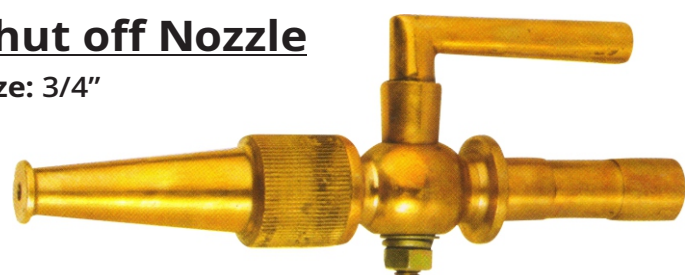
**FEATURES**

- Compact, Flexible & Light weight
- Low friction loss
- Ability to withstand high operating & back pressure



**Shut off Nozzle**

Size: 3/4"





THE KEY FACTOR

An ISO 9001 Company

**"SIR"**

## Coupling & Adapters



Stainless Steel Material



Gun Metal Material



Aluminium Material

## "SIR" Instantaneous Coupling

### TECHNICAL SPECIFICATIONS

**Size :** 63mm

**Material :** Gun Metal/ Stainless Steel/Aluminium Alloy

**Conforming Specification :** IS: 903, ISI Marked

### Performance Test :

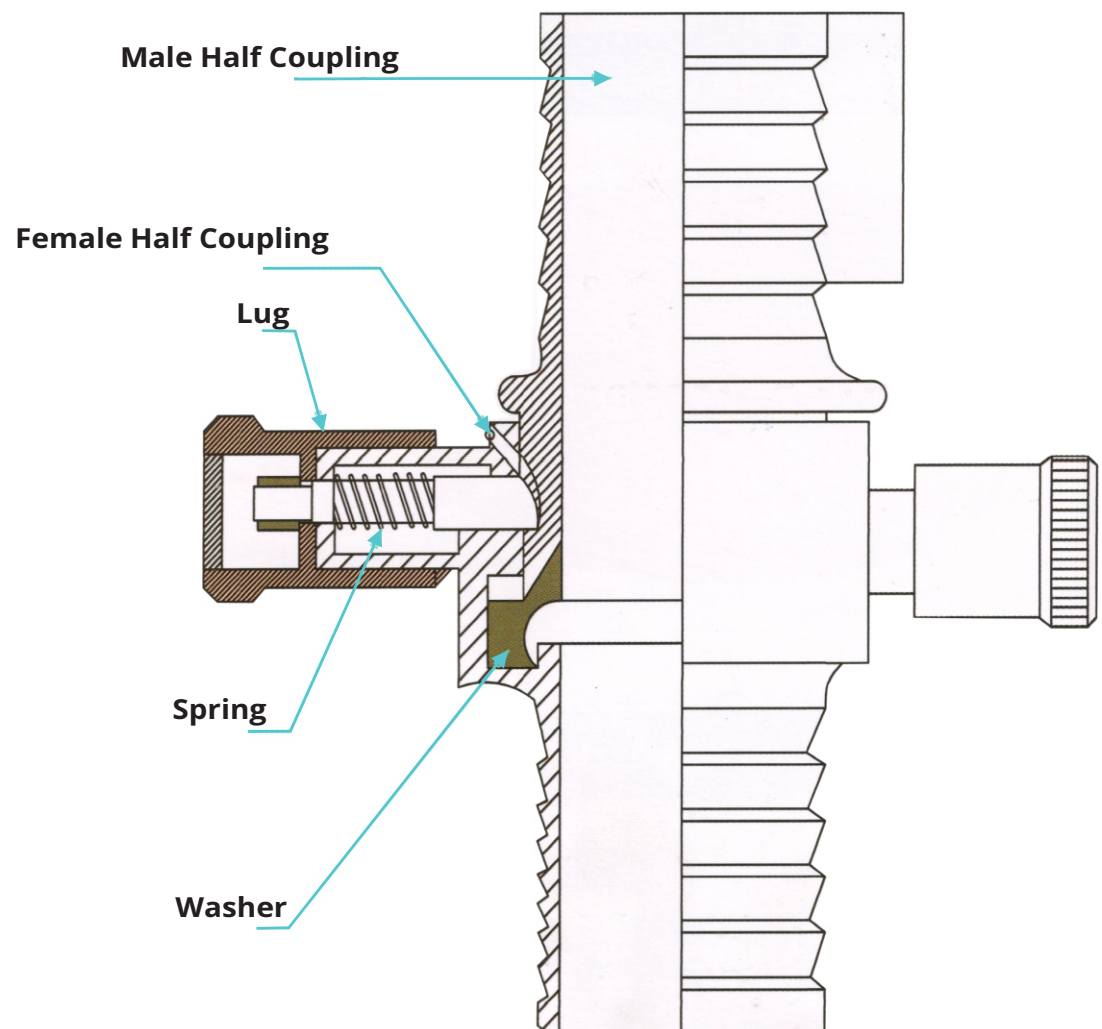
**Hydrostatic Test (Body Test) :** Tested at 21 kgf/cm<sup>2</sup>

**Working pressure :** 5 to 14 Kg / cm<sup>2</sup>

### Other Range

**Range :** 38mm, 52mm & 70mm,

**Hologram :** Sticker stuck on Coupling.





THE KEY FACTOR

An ISO 9001 Company

**"SIR"**

## Branch Pipe & Nozzels



Stainless Steel Material



Gun Metal Material



Aluminium Material

### "SIR" Short Branch Pipe

#### TECHNICAL SPECIFICATIONS

**Size of Branch Pipe :** 63mm

**Size of Nozzles :** 6mm, 12mm, 15mm, 20mm and 25mm

**Material :** Gun Metal/ Stainless Steel/Aluminium Alloy

**Conforming Specification :** IS: 903, ISI Marked

#### Performance Test :

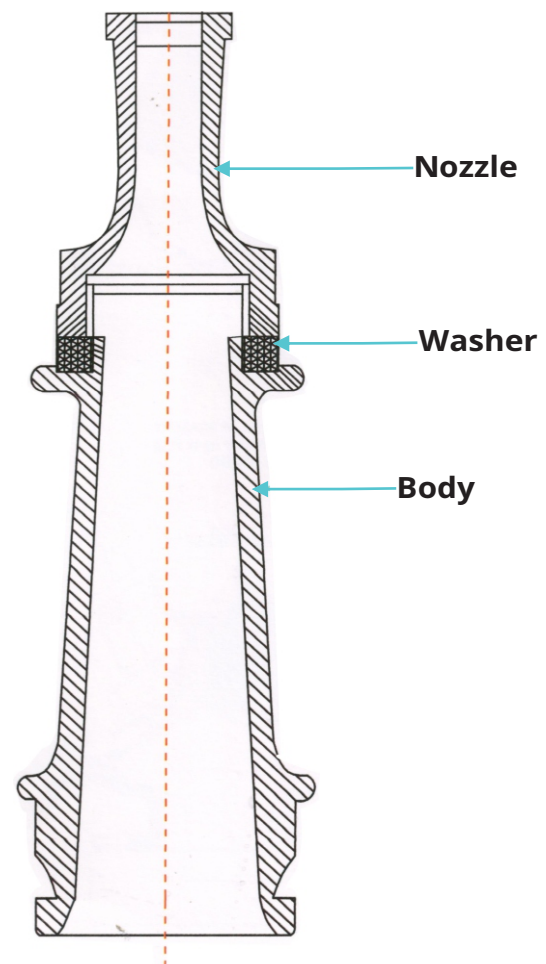
**Hydrostatic Test (Body Test) :** Tested at 21 kgf/cm<sup>2</sup>  
**working pressure :** 7 kgf/cm<sup>2</sup>

#### Other Range

**Range :** 52mm & 38mm

**Finish :** Natural Polished

**Hologram :** Sticker stuck on Nozzle



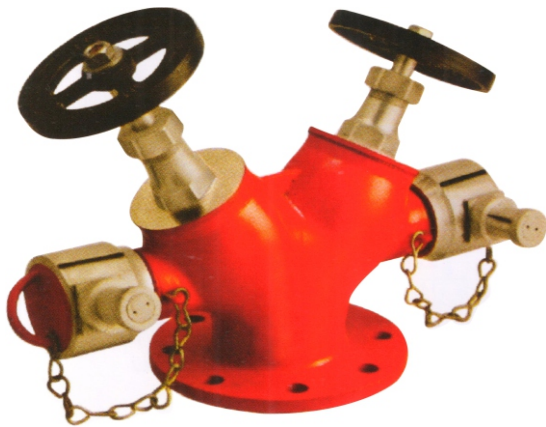


THE KEY FACTOR

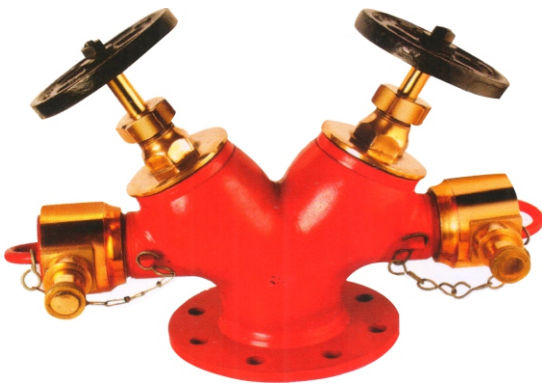
An ISO 9001 Company

**"SIR"**

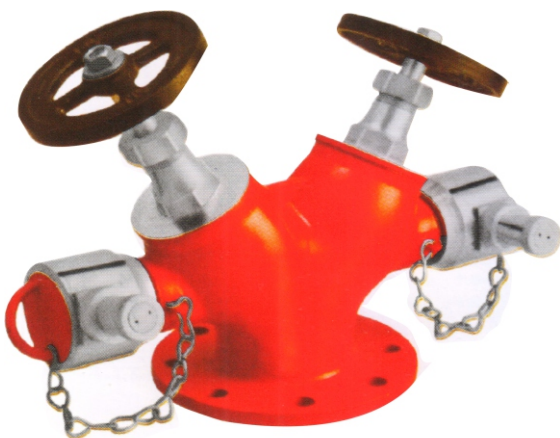
**Landing Valve**



Stainless Steel Material



Gun Metal Material



Aluminium Material

**"SIR" Double Outlet Landing Valve**

**TECHNICAL SPECIFICATIONS**

**Size :** 63mm/ 75mm/ 80mm

**Inlet :** 4" NB Flanged

**Outlet :** Female Instantaneous

**Material :** Gun Metal/ Stainless Steel/ Aluminum Alloy.

**Conforming Specification :** IS: 5290, Type "B" , ISI Marked

**Performance Test :**

**Hydrostatic Test (Body Test) :** Tested at 23 kgf/cm<sup>2</sup>

**Water tightness (Seat Test) :** Tested at 14 kgf/cm<sup>2</sup>

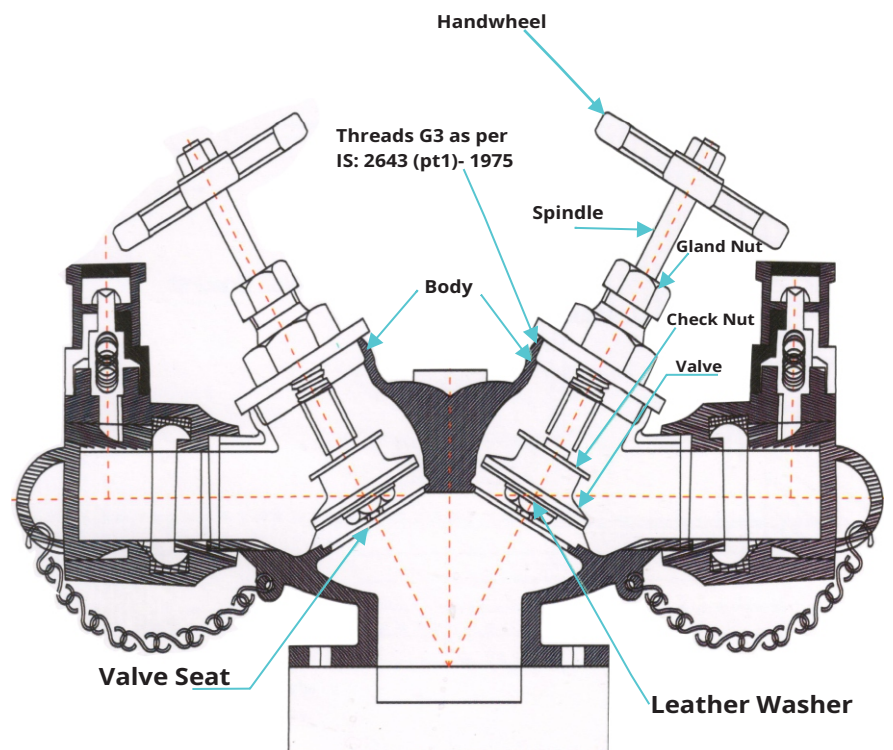
**Flow Test :** 1800 LPM discharge at 7 kgf/cm<sup>2</sup>

**Finish**

**Body :** Painted Fire Red Colour

**Male Adaptor & Accessories :** Polished

**Hologram :** Sticker Stuck on Landing Valve





THE KEY FACTOR

An ISO 9001 Company

**“SIR”**

## Landing Valve



Stainless Steel Material



Gun Metal Material



Aluminium Material

## “SIR” Single Outlet Landing Valve

### TECHNICAL SPECIFICATIONS

**Size :** 63mm/ 75mm/ 80mm

**Inlet :** 3” NB Flanged

**Outlet :** Female Instantaneous

**Material :** Gun Metal/ Stainless Steel/ Aluminum Alloy.

**Conforming Specification :** IS: 5290, Type — A, ISI Marked

### Performance Test :

**Hydrostatic Test (Body Test) :** Tested at 23 kgf/cm<sup>2</sup>

**Water tightness (Seat Test) :** Tested at 14 kgf/cm<sup>2</sup>

**Flow Test :** 900 LPM discharge at 7 kgf/cm<sup>2</sup>

### Other Range

**Range :** 38mm/ 50mm

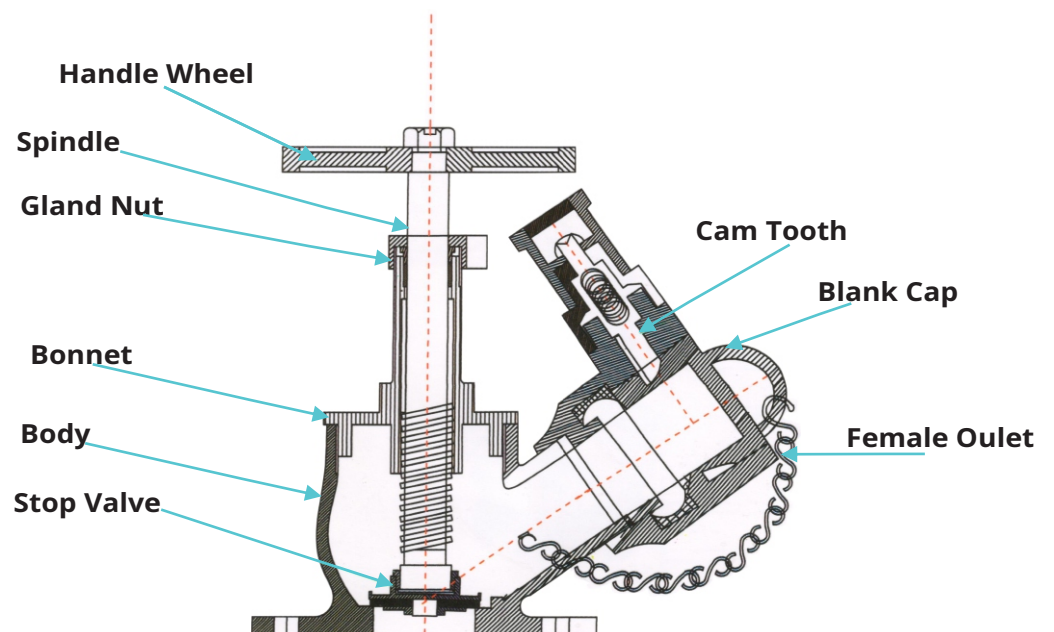
**Hand Wheel :** Grey Cast Iron

### Finish

**Body :** Painted Fire Red Colour

**Male Adaptor & Accessories :** Polished

**Hologram :** Sticker Stuck on Landing Valve





THE KEY FACTOR

An ISO 9001 Company

**"SIR"**

## Hose Reel

## "SIR" First Aid Hose Reel for Fire Fighting

### TECHNICAL SPECIFICATIONS

**Type :** Wall Mounted Fixed/Swinging Type

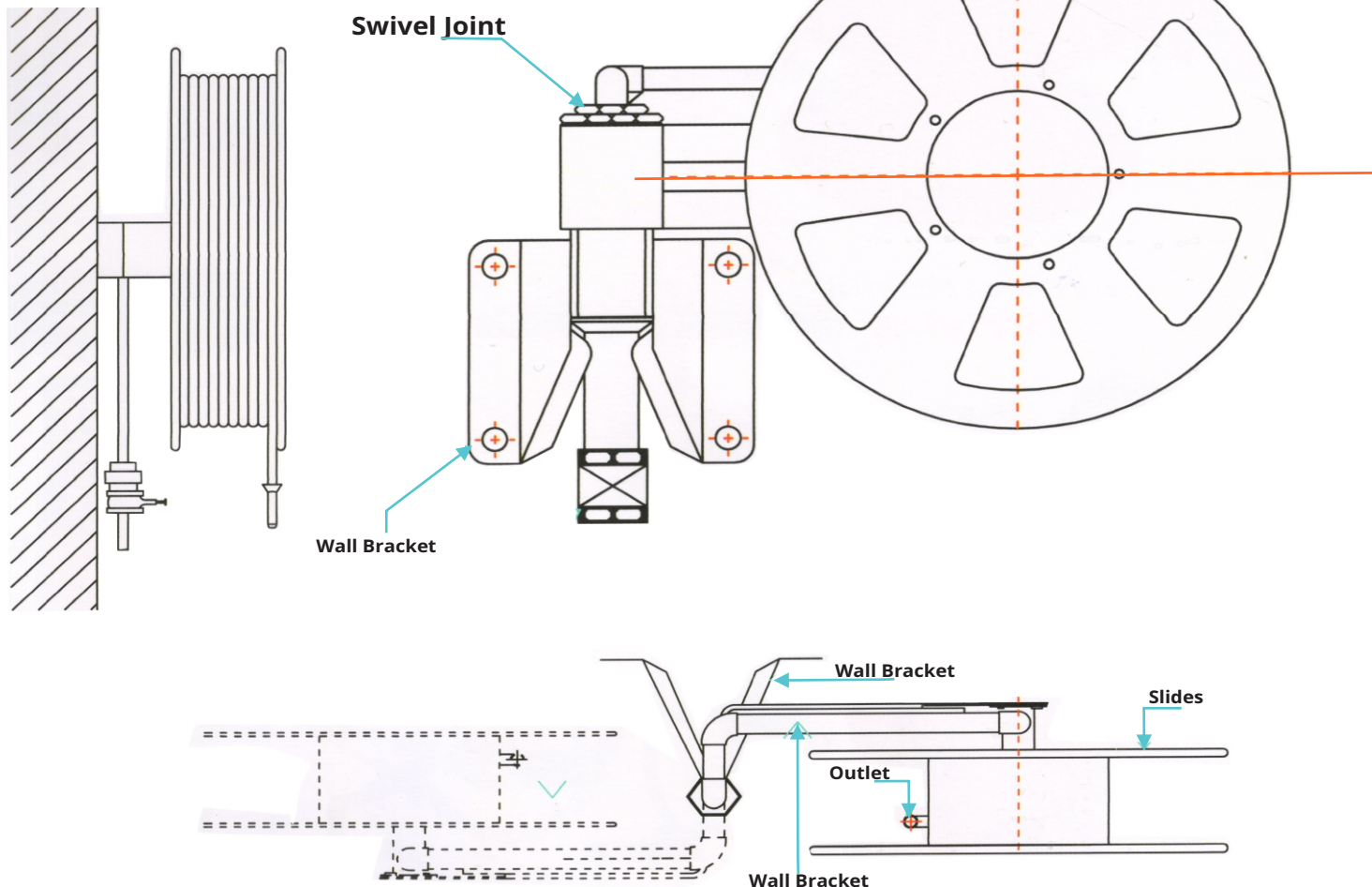
**Size: Inlet :** 1" Threaded Inlet Connection

Outlet : 3/4" / 1" / 1-1/2" outlet connection for Hose to accommodate 30/ 36/ 40 Mtrs. Hoses

**Hose :** Rubber Braided Hose Pipes Conf. to IS:444/ I 987, Type -I, 2, 3A & 3B (Duly ISI marked)

### Performance Test:

- Hydrostatic Test (Body Test) : Tested at 21 klgf/cm<sup>2</sup>
- Range & Water Flow rate test at 7kg f/ cm<sup>2</sup>
- Discharge: 24LPM







Think of  
fire before  
it starts

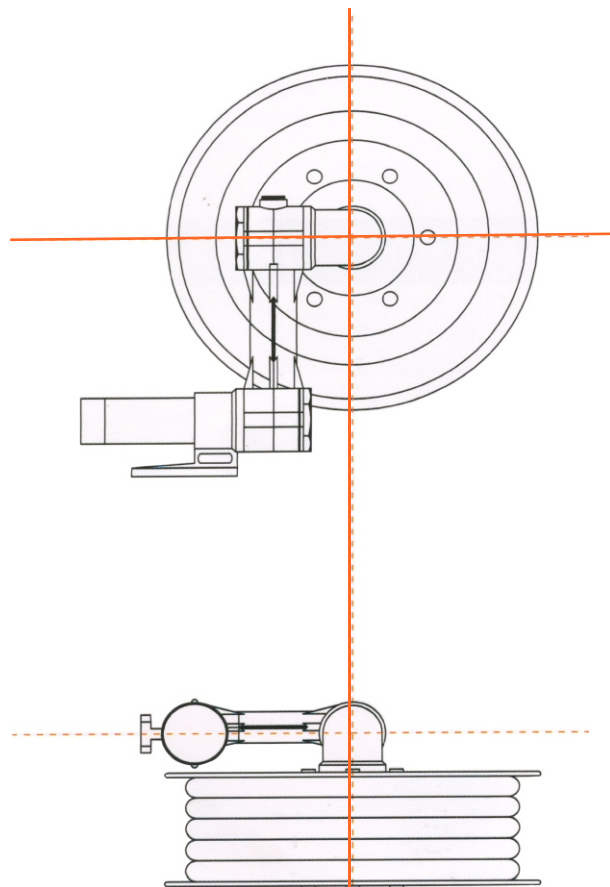
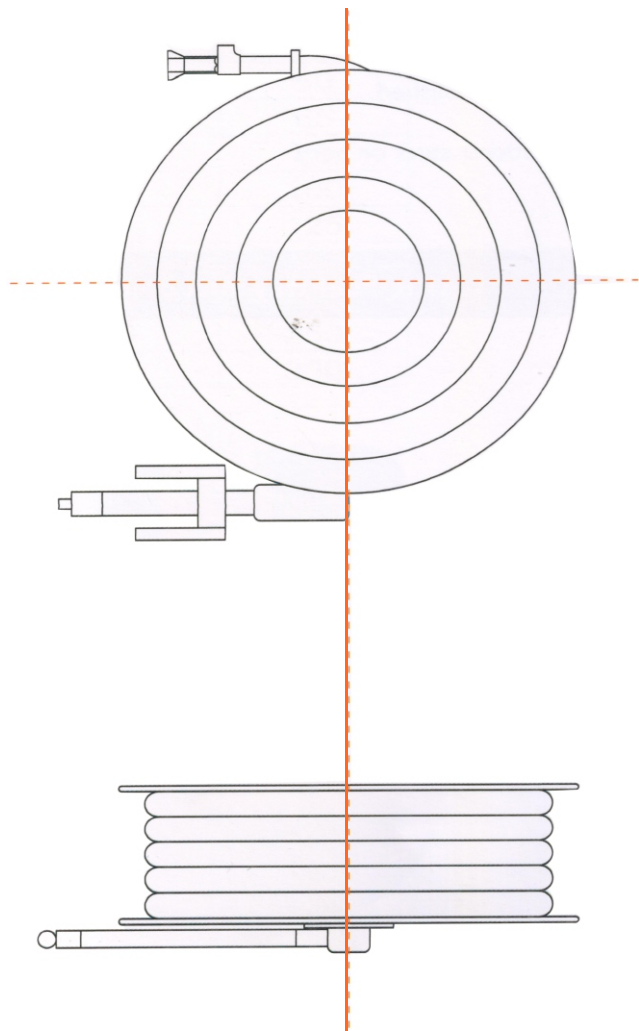
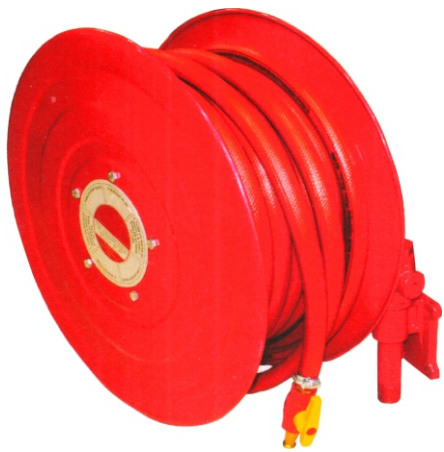


THE KEY FACTOR

An ISO 9001 Company

**"SIR"**

**Hose Reel**





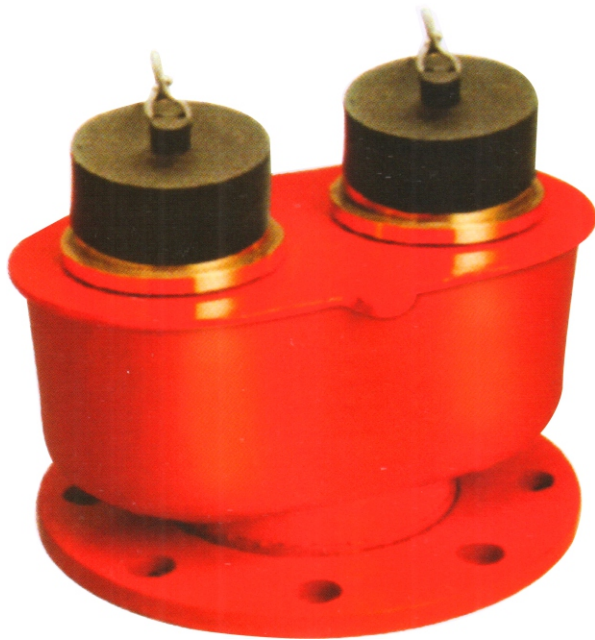
THE KEY FACTOR

An ISO 9001 Company

**"SIR"**

**Hose Reel**

**"SIR" Two Way Inlet Breeching**



**TECHNICAL SPECIFICATIONS**

**SIZE :** 63mm

**Inlet :** 2/3/4 No's Male Instantaneous Adaptor (63 mm) with NRV

**Outlet :** 80/100/150 mm NB Flanged

**Material**

**Body :** Cast Iron, Gun Metal & Stainless Steel

**NRV :** Gun Metal & Stainless Steel

**Conforming Specification :** IS: 904

**Performance Test :**

**Hydrostatic Test (Body Test) :** 21 kgf/cm<sup>2</sup>

**Water tightness (Seat Test) :** 7 kgf/cm<sup>2</sup>

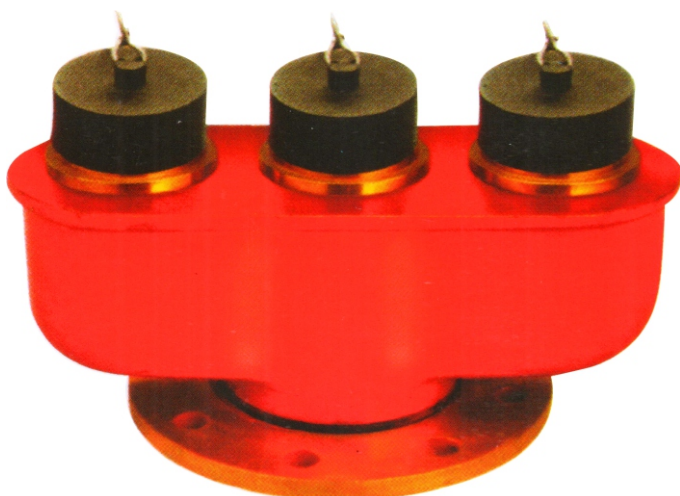
**Finish :**

**Body :** Painted Fire Red Colour

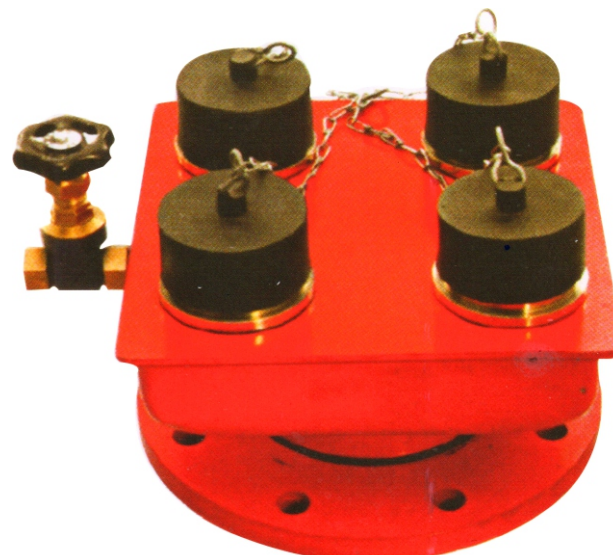
**Male Adaptor :** Polished

**Hologram :** Sticker Stuck on body

**"SIR" Three Way Inlet Breeching**



**"SIR" Four Way Inlet Breeching**





THE KEY FACTOR

An ISO 9001 Company

**"SIR"**

## Stand Post Type Water Monitor

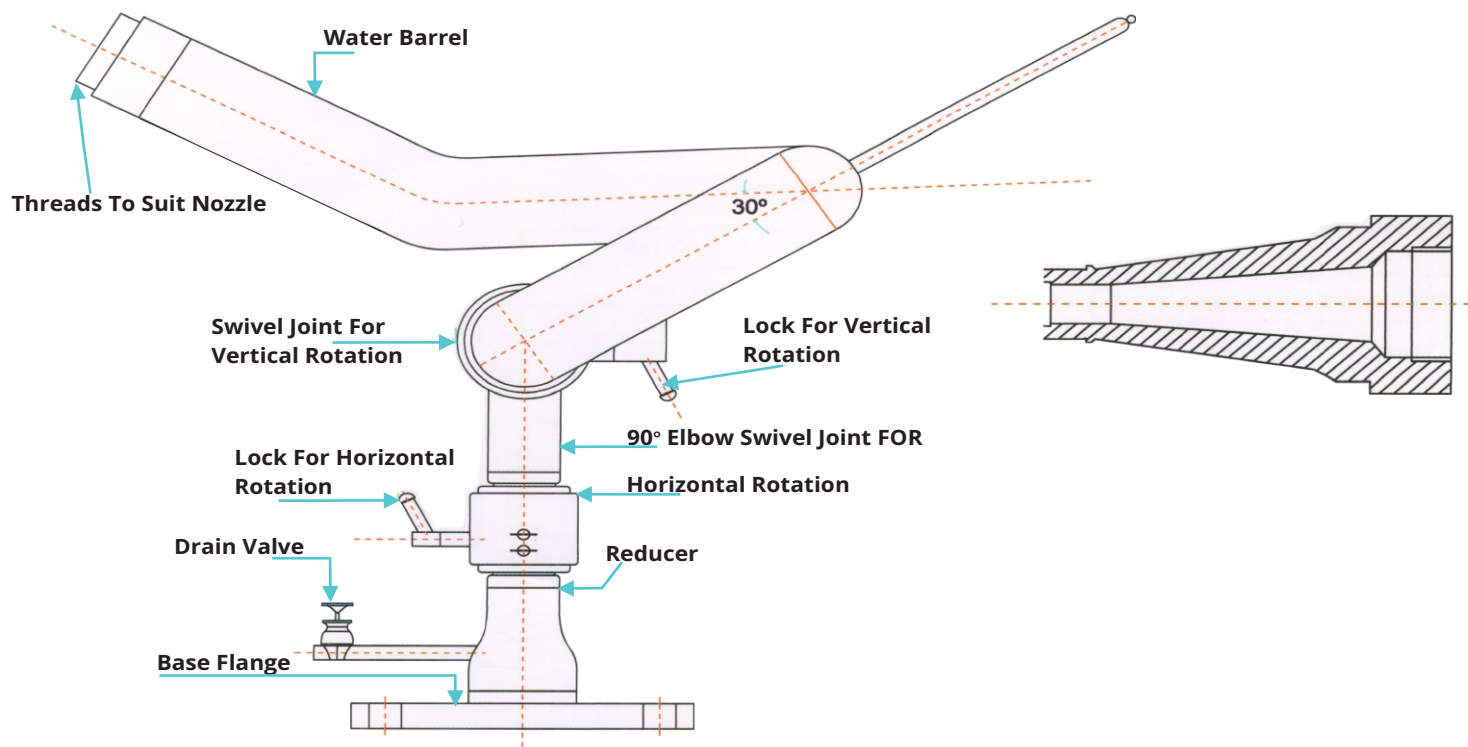
### Application

- Oil Sector
- Refineries
- Chemical Plants
- Fertilizers and
- Fire Tenders etc.



### TECHNICAL SPECIFICATIONS

Design & Construction	As Per IS:8442
Material	Seamless Mild Steel Tubes
Size of Monitor	63mm
Size of Inlet Flange	80 mm
Construction	Welded from M. S. Seamless Pipes, Bends, etc.
Discharge Capacity	1750 LPM
Horizontal Throw	50 - 55 Meters
Rotation	360°
Elevation	85° to 30°
Joint	Swivel Type (Gun-Metal)
Jet Spray Nozzle	Gun Metal or Aluminium
Operative Pressure	0.7 N/mm <sup>2</sup> at Nozzle End
Leakage Pressure	To withstand a pressure of 2.3 N/mm <sup>2</sup>





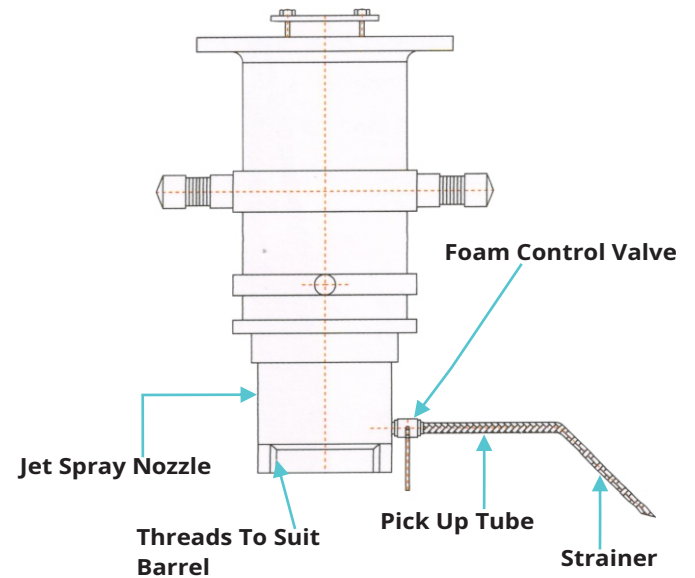
THE KEY FACTOR

An ISO 9001 Company

**"SIR"**

## Foam Making Branch

(FB5X)



### APPLICATION:

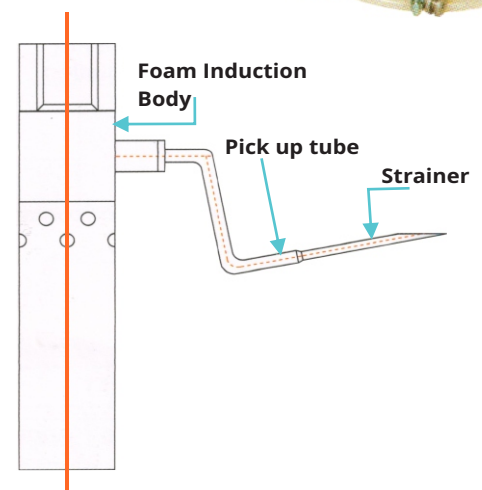
Foam Making Branch Pipe is a lightweight, easy to handle, ideal for Fire Brigade first line appliances and general industrial use. It will operate from a water supply at particular pressure to produce foam bubbles via 3m long pierce pick-up tube which can be supplied with the branch pipe.

### FEATURES:

- Excellent Foam Quality.
- Lightweight compact self inducing high output Branch Pipe.
- Longer foam throws Performance.
- Wide Operating Pressure Range.
- Suitable for all types of foam concentrate.
- Useful for Oil and Chemical Installations, General Industries, Airports and Fire Brigades.

### TECHNICAL SPECIFICATIONS

	FB 5X	FB 10X
Design & Construction	As Per IS: 2097	As Per IS: 2097
Operating Pressure Range	5.0 to 5.5 Bar	8.0 to 8.5 Bar
Foam Liquid	P, FP, FFFP, AFFF, AR and S	Standard AFFF Compound
Foam Ratio	1:10	1:10
Discharge (LPM)	225 to 250	450 to 500
Jet Length (Maximum)	20 meters	24 meters
Coupling Inlet	2.5" Instantaneous (M)	2.5" Instantaneous (M)
Foam Pick-up	20mm Quick Release	20mm Quick Release
Material	Aluminium Alloy	Aluminium Alloy
Weight	3.2 kg	3.7 kg
Angle of Operation	30°	30°





THE KEY FACTOR

An ISO 9001 Company

**"SIR"**

## **Fire Extinguishers**

Fire - Extinguisher-Co2  
Type



Fire - Extinguisher-ABC  
Type



Fire - Extinguisher  
(All Ranges)



## **Fire - Chemicals**

### **ABC Dry Chemical Powder:**

Dry chemical powder is very important Fire-Fighting agent and it's extinguishing medium for Class A, B & C fires. It is mix of mono ammonium phosphate and ammonium Sulfate, the mix between two agents is usually 50-50% and 90-10% or depending upon required specification.

Swastik® Dry Chemical Powder confirms to IS: 4609 Specification.

Approval: Bureau of Indian Standards, Govt. of India.

Packing: available in 1/2/4/6/9 /25/50 Kgs.

### **BC Dry Chemical Powder:**

BC dry chemical is a sodium bicarbonate based chemical powder. It's extinguishing agent for Class B & C fires.

Swastik® Dry Chemical Powder confirms to IS: 4308 Specification.

Approval: Bureau of Indian Standards, Govt. of India.

Packing: available in 2/5/ 10/25/50 Kgs.



THE KEY FACTOR

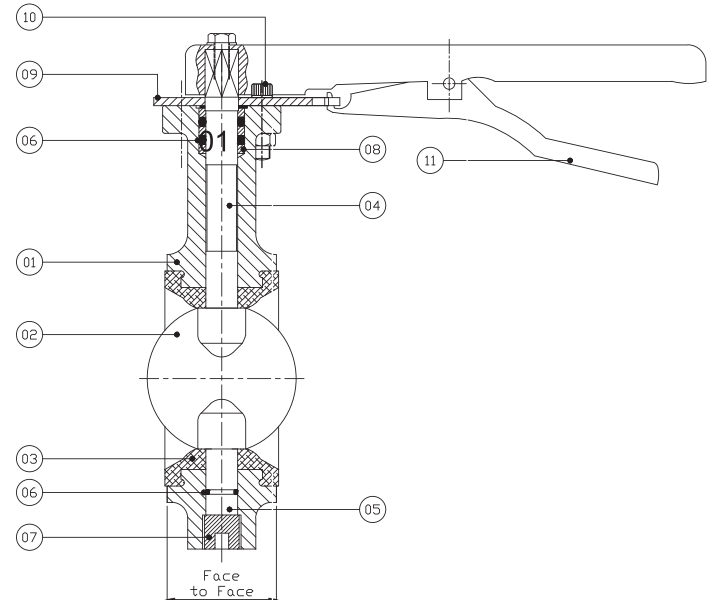
An ISO 9001 Company

**"SIR"**

## Butterfly Valve

### Materials

S. No.	Parts	Material
01	Body	Cast Iron/S.G. Iron/DI/ Stainless Steel/WCB
02	Disc.	S.G. Iron/DI/ Stainless Steel
03	Liner	Nitrile   EPDM   Viton (High temperature)
04	Shaft	Stainless Steel
05	Ideal Shaft	Stainless Steel
06	O-Ring	Nitrile   EPDM
07	Dead Plug	Mild Steel
08	Body Bush	PTFE   Nylon
09	Notch Plate	Mild Steel
10	Nut Bolt	Galvanised Steel
11	Lever	CRCC



### Hydrostatic Test Pressure

Availability	Size Range	Manufacturing and Pressure Rating	Temperature Rating	Hydrostatic Test Pressure	
				Body	Seat
Standard Supply	50 to 900 mm	IS:13095 PN 1.0	-10°C to 90°C	15 Kg./cm <sup>2</sup>	10 Kg./cm <sup>2</sup>
	50 to 300 mm	IS:13095 PN 1.6	-10°C to 90°C	24 Kg./cm <sup>2</sup>	16 Kg./cm <sup>2</sup>

PN 20 & PN 25 also available

### Dimensions in mm

DIN Size	PCD	Face to Face
40	110	33
50	125	43
65	145	46
80	160	46
100	180	52
125	210	56
150	240	56
200	295	60
250	350	68
300	400	78
350	460	92
400	515	102
450	565	114
500	620	127
600	725	154
700	840	229
800	950	241
900	1050	241

### Description

Wafer type Butterfly Valves are with an integrally moulded elastomer seat loose liner. The Valves can be supplied in different combination of body, and disc material to suite a wide range of line fluids in size range of 40 mm to 900 mm. Valve suitable for Liquid, Gases etc.

Note : Viton-Extra Cost.





THE KEY FACTOR

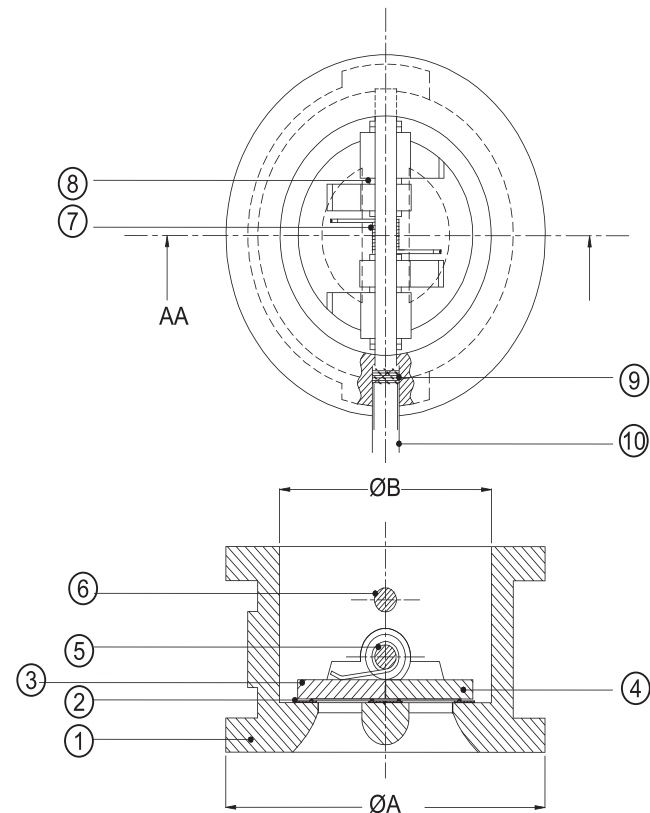
An ISO 9001 Company

**"SIR"**

## Dual Plate Check Valve

### Materials

S. No.	Parts	Material
01	Body	C./I.C.S./D.I./Alloy Steel/ SS/WCB
02	Linner	Nitrile/EPDM
03	Plate LH	D.I./S.S.
04	Plate RH	D.I./S.S.
05	Hinge Pin	SS 304
06	Stopper Pin	SS 304
07	Spring	SS 304
08	Ring	SS 304
09	Seal	Nitrile   EPDM
10	Plug	Mild Steel



### Hydrostatic Test Pressure

Availability	Size Range	Temperature Rating	Hydrostatic Test Pressure	
			Body	Seat
Standard Supply	50 to 600 mm	-10°C to 90°C	15 Kg./cm <sup>2</sup>	10 Kg./cm <sup>2</sup>
	50 to 300 mm	-10°C to 90°C	24 Kg./cm <sup>2</sup>	16 Kg/cm <sup>2</sup>

### Dimensions in mm

DIN Size	Outer Dia (ØA)	Face to Face	Innder Dia (ØB)
50	105	54	60
65	124	54	73
80	137	57	89
100	175	64	114
125	197	70	141
150	222	76	168
200	279	95	219
250	340	108	273
300	410	143	324
400	On Request	On Request	On Request
500	On Request	On Request	On Request
600	On Request	On Request	On Request

Dimensions are subject to change in course of product development



### Description

Dual Plate Check valve is a purpose non-return valve that is much stronger, lighter in weight and smaller in size as compared to conventional swing check valve or lift check valve. This design has distinct advantages over conventional swing check valve.



THE KEY FACTOR

An ISO 9001 Company

**"SIR"**

## Sluice Valve

### Materials

S. No.	Parts	Material	Specification
01	Body	Cast Iron	IS:210 Gr.FG 200
02	Body Seat Ring	Leaded Tin Bronze	IS:318 LTB2
03	Wedge	Cast Iron	IS:210 Gr.FG 200
04	Wedge Ring	Leaded Tin Bronze	IS:318 LTB2
05	Wedge Nut	Leaded Tin Bronze	IS:318 LTB2
06	Gasket	Rubber	IS:638 Type-B
07	Bolts & Nuts	Carbon Steel	IS:1363
08	Bonnet	Cast Iron	IS:210 Gr.FG 200
09	Stem	Stainless Steel	IS:6603 12Cr12
10	Bolts & Nuts	Carbon Steel	IS:1363
11	Gasket	Rubber	IS:638 Type-B
12	Stuffing Box	Cast Iron	IS:210 Gr.FG 200
13	Packing	Asbestos	IS:4687
14	Gland	Cast Iron	IS:210 Gr.FG 200
15	Hand Wheel	Cast Iron	IS:210 Gr.FG 200
16	Washer	Mild Steel	
17	Bolts	Carbon Steel	IS:1363
18	Bolts & Nuts	Carbon Steel	IS:1363

### Hydrostatic Test Pressure

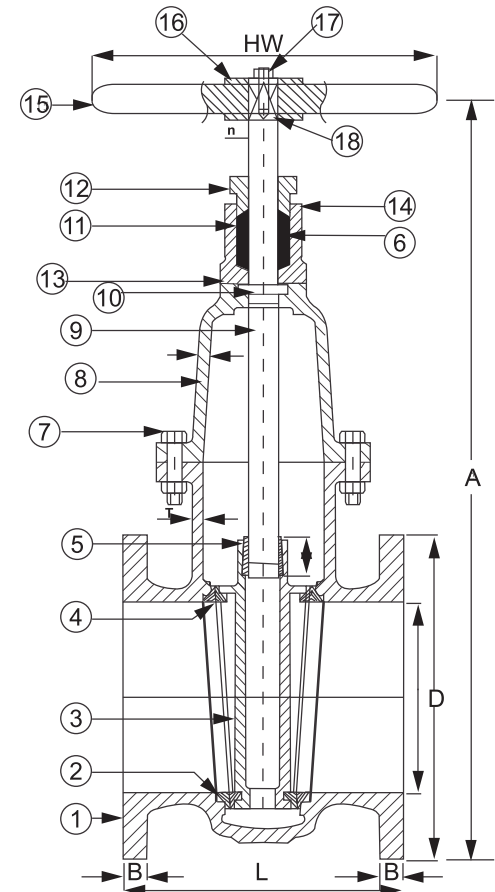
Availability	Size Range	Manufacturing and Pressure Rating	Hydrostatic Test Pressure	
			Body	Seat
Standard Supply	50 to 700 mm	IS:14846 PN 1.0	15 Kg./cm <sup>2</sup>	10kg./cm <sup>2</sup>
	50 to 300 mm	IS:14846 PN 1.6	24 Kg./cm <sup>2</sup>	16 Kg/cm <sup>2</sup>

### Dimensions in mm

DN Size	L	B	D	A	H/w PN1.0	Dia. PN1.6
50	178	16	165	365	225	280
65	190	16	185	380	225	280
80	203	21	200	425	225	280
100	229	22	220	470	320	360
125	254	22.5	250	485	320	360
150	267	23	285	595	320	360
200	292	24.5	340	725	360	450
250	330	26	395	835	400	640
300	356	27.5	445	910	400	640
350	381	29	505	1020	500	640
400	406	30	565	1110	640	730
450	432	31.5	615	1200	720	800
500	457	33	670	1300	720	800
600	508	36	780	1500	720	800
700	On Request	On Request	On Request	On Request	On Request	On Request

### Description

Cast Iron Double Flanged Sluice Valve as per IS 14846 : 2000 with G.M. Internals and IS 6603 12CR13 S.S. Spindle drilled as per IS:1538 with body design preferred dimensions (PD) type. These valves can be supplied with S.S. Working Parts.



TOLERANCES AS PER IS 14846:2000





THE KEY FACTOR

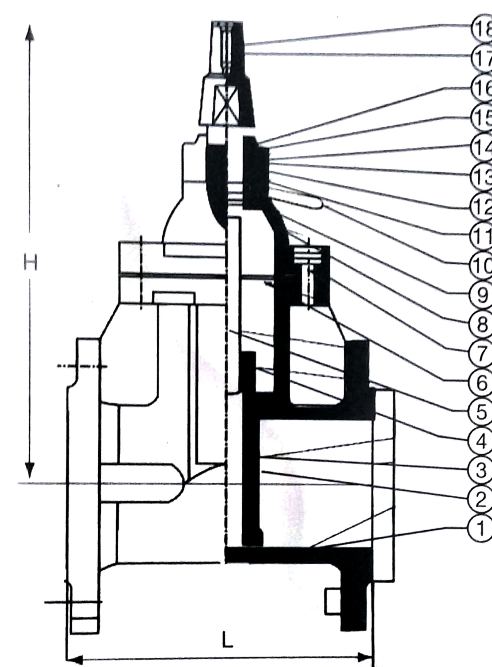
An ISO 9001 Company

**"SIR"**

## Resilient Gate Valve

### Materials

S. No.	Parts	Material	Standard	Grade
01.	Body	Ductile Iron	BS EN 1563	450/10,500/7
02.	Rubber	Rubber	MS 672:29	Nitrile / EPDM
	Coating		BS EN 681	(66-75 IRHD Hardness)
03.	Wedge	Ductile Iron	BS EN 1563	450/10, 500/7
04.	Stem Nut	Gun Metal	BS 1400	LG 2
05.	Stem	Stainless Steel	BS 970:Part 1	431S29, 304S31
06.	Gasket	Rubber	MS 672:99	Nitrile / EPDM
			BS EN 681	(66-75 IRHD Hardness)
07.	Bolts	Steel	BS 3692	Grade 5
		Stainless Steel	BS 970:Part 1	431S29, 304S31
08.	Bonnet	Ductile Iron	BS EN 1563	450/10, 500/7
09.	O-Ring	Rubber	MS 672:99	Nitrile / EPDM
			BS EN 681	(66-75 IRHD Hardness)
10.	Trust Collar	Gun Metal	BS 1400	LG 2
11.	O-Ring	Rubber	MS 672:99	Nitrile / EPDM
			BS EN 681	(66-75 IRHD Hardness)
12.	O-Ring	Rubber	MS 672:99	Nitrile / EPDM
			BS EN 681	(66-75 IRHD Hardness)
13.	Sleeve	Gun Metal	BS 1400	LG 2
14.	O-Ring	Rubber	MS 672:99	Nitrile / EPDM
			BS EN 681	(66-75 IRHD Hardness)
15.	Gland	Ductile Iron	BS EN 1563	450/10, 500/7
16.	Dust-Proof	Rubber	MS 672:99	Nitrile / EPDM
			BS EN 681	(66-75 IRHD Hardness)
17.	Bolts	Steel	BS 3692	Grade 5
		Stainless Steel	BS 970:Part 1	431S29, 304S31
18.	Cap	Ductile Iron	BS EN 1563	450/10, 500/7



### Dimensions in mm

DIN Size	L	H
50	178	280
65	190	290
80	203	400
100	229	450
125	250	500
150	267	520
200	292	630
250	330	750
300	356	825



THE KEY FACTOR

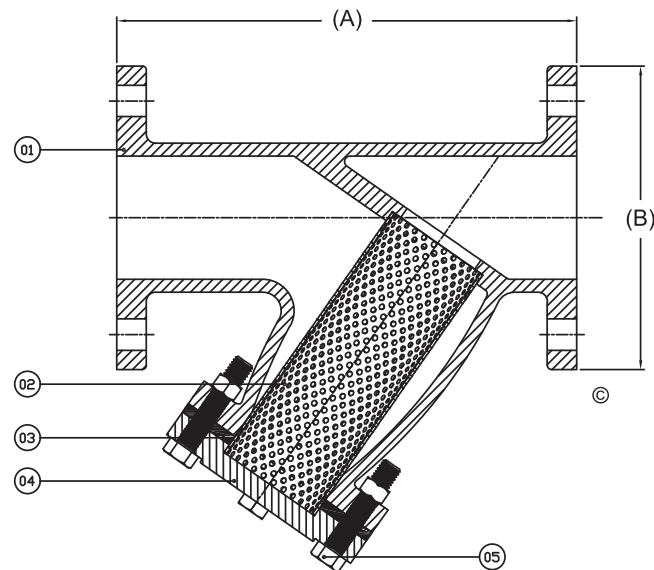
An ISO 9001 Company

**"SIR"**

## Y-Strainer

### Materials

S.No.	Parts	Material	Specification
01	Body	Cast Iron/S.G. Iron	IS: 210 FG 200/ IS 1865, 500/7
02	Screen	Stainless Steel	S.S.
03	Gasket	Natural Rubber	IS:638
04	Cover	Cast Iron	IS:210 FG 200
05	Bolts	Carbon Steel	IS:1363



### Hydrostatic Test Pressure

Availability	Size Range	Manufacturing and Pressure Rating	Hydrostatic Test Pressure
			Body
Standard Supply	40 to 350 mm	PN 10	10 Kg./cm <sup>2</sup>
		PN 16	16 Kg./cm <sup>2</sup>

### Dimensions in mm

DIN Size	Face to Face (A)	Flange Dia (B)	Flange Thickness (C)
40	205	135	16
50	205	154	16
65	220	160	16
80	265	186	17
100	330	215	20
125	418	255	20
150	440	285	22
200	525	340	23
250	725	405	25
300	750	480	25
350	845	535	30

Dimensions are subject to change in course of product development



### Description

Cast Iron Strainer, Y-Type with Stainless Steel Mesh



THE KEY FACTOR

An ISO 9001 Company

**"SIR"**

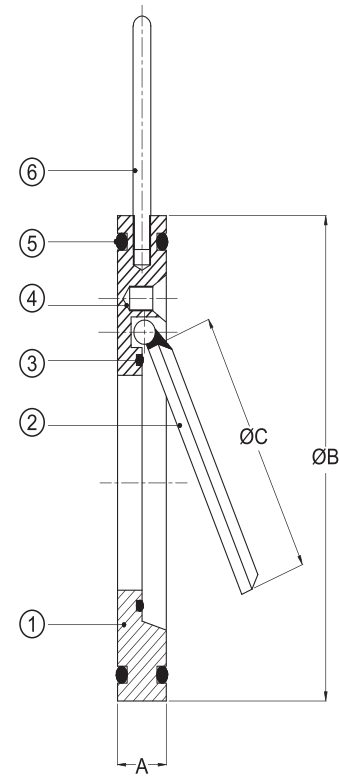
## Wafer Check Valve

### Materials

S. No.	Parts	Material
01	Body	C.I./D.I./S.S./Alloy Steel/Al.
02	Disc	S.S./MS
03	Seal	Nitrile/EPDM
04	Stopper	Mild Steel
05	O-Ring	Nitrile/EPDM
06	Eye Bolt	Mild Steel

### Hydrostatic Test Pressure

Availability	Size Range	Temperature Rating	Hydrostatic Test
			Seat
Standard Supply	40 to 600 mm N.B.	-10°C to 90°C	16 Kg./cm <sup>2</sup>



### Dimensions in mm

DIN Size	A	B	C
40	20	102	33
50	20	110	42
65	22	132	60
80	25	145	71
100	25	160	90
125	25	188	110
150	30	220	130
200	34	270	175
250	34	325	220
300	36	370	265
400	On request	On request	On request
500	On request	On request	On request
600	On request	On request	On request

Specification are Subject to Change in course of product development  
Also Available in 350, 400, 450, 500 & 600 mm (on request)

### Description

Wafer Type Check Valve suitable for Liquid, Gases and all purpose Check Valve (NRV). This Design has distinct advantages over conventional Swing Check Valve.





THE KEY FACTOR

An ISO 9001 Company

**"SIR"**

***Fire Fighting Accessories***

**Triple Purpose Nozzle**



**Fog Nozzle**



**Revolving Type Nozzle**



**High Stream Fog Nozzle**



**High Stream Fog Nozzle**



**Fire Hose Box**



**Fire Man's Axe**





THE KEY FACTOR

An ISO 9001 Company

**"SIR"**

**Fire Fighting Accessories**

**Ball Vave**



Product:- SIR Investment Casting Ball Valve

Size/Inch      MM

1/2	15
3/4	20
1	25
1 1/4	32
1 1/2	40
2	50

**Pressure Reducing Valve**



**Dividing Breching**



**Hand Controlled Nozzle**



**Fire Sprinklers**



**Flexible Hose For Sprinklers**





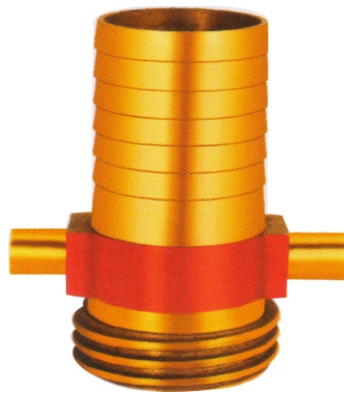
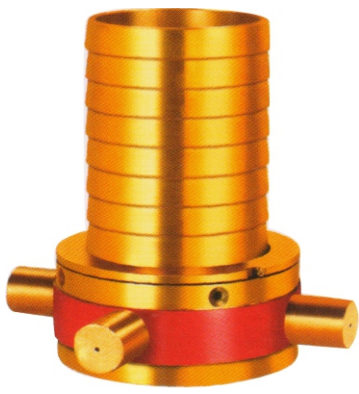
THE KEY FACTOR

An ISO 9001 Company

**"SIR"**

***Fire Fighting Accessories***

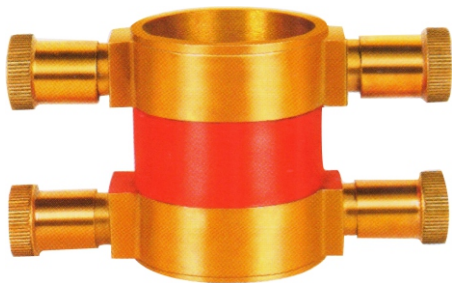
Suction Couplings



Suction Strainer



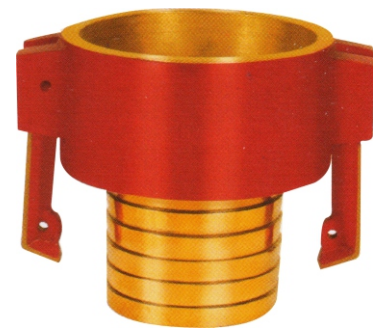
Double Instantaneous Female Couplings



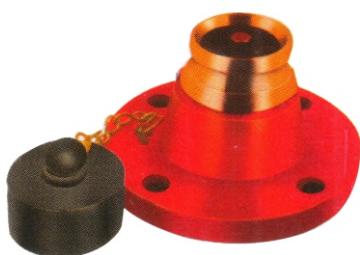
Reduced Shank Couplings



CamLock Coupling



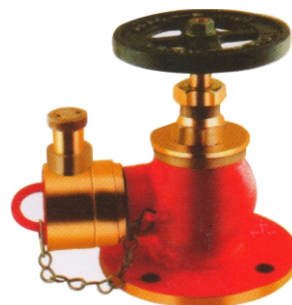
Single Inlet Breeching



Straight Type Landing Valve



Right Angle Landing Valve



Turn Down Type Landing Valve





THE KEY FACTOR

An ISO 9001 Company

**"SIR"**

## ***Fire Fighting Accessories***

**Air Release Valve**



**Male Coupling**



**Side Glass**



**Aluminum Suction  
Coupling**



**Foam Trolley**



**Landing Valve**



**Synthetic Jacketed Hose  
Type-B**



**Suction Hose**



**Male Female Coupling**





# SIR

THE KEY FACTOR

AUTHORISED DEALER

[www.sirvalve.com](http://www.sirvalve.com)

